

Current part is item (7,5,10) on diagram. Available at www.oshkoshequipment.com		SWITCH ASSEMBLY, FLAME		DETECTOR		EA		1		*		*		*		*		*		144		44	
PF	2540-152-2528	7700185 (19207)																					

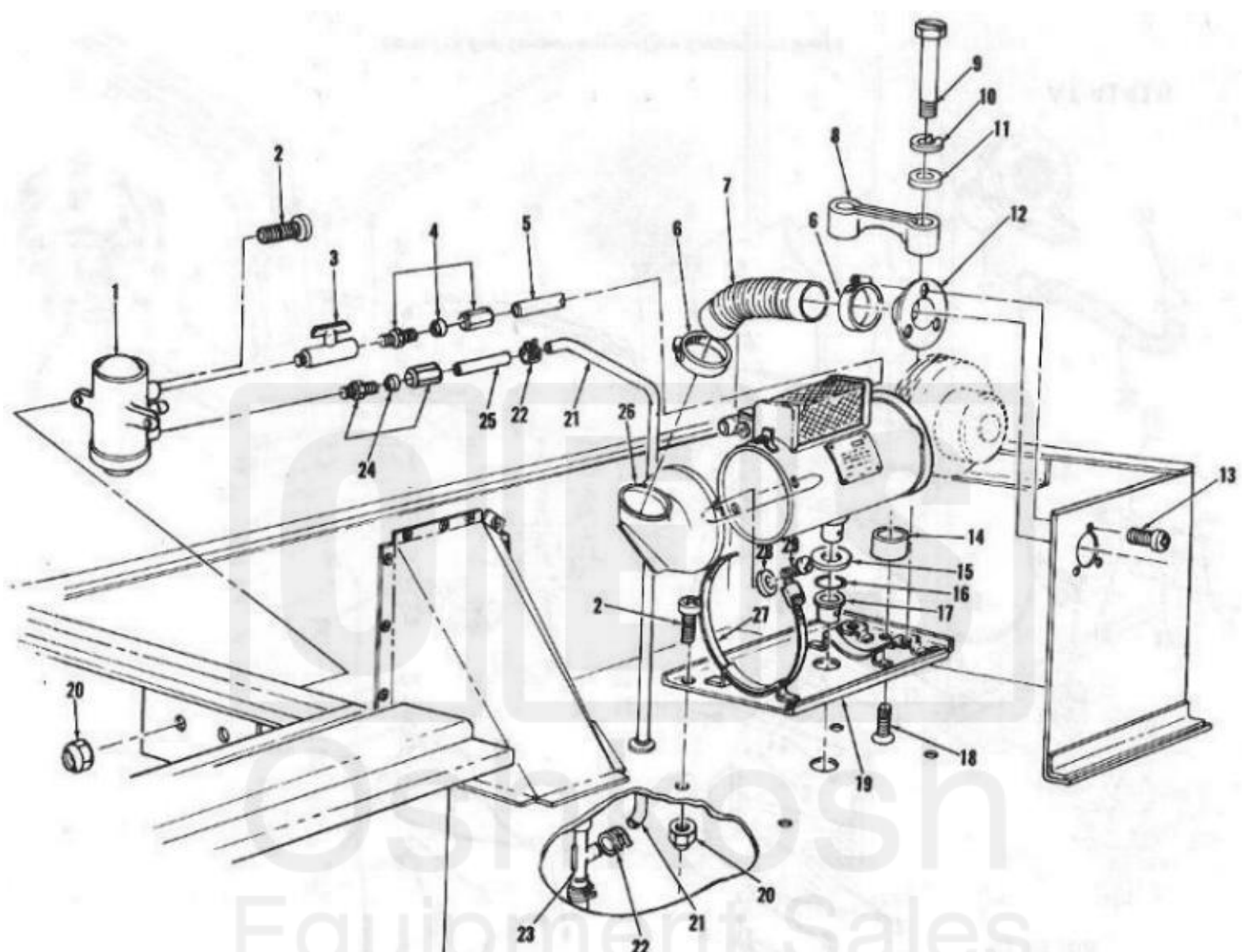


Figure 145: Rear Compartment Heater and Related Parts
Page 385

(1) SMR code	(2) Federal Stock Number	(3) Description Reference Number & Mfg. Code Usable on Code	(4) Unit of meas	(5) Qty inc in unit	(6) 30-day DS maint. allowance			(7) 30-day GS maint. allowance			(8) 1-yr alw per 100 equip cntgcy	(9) Depot maint alw per 100 equip	(10) Illustration		
					(a)	(b)	(c)	(a)	(b)	(c)			(a)	(b)	
		2202 ACCESSORY ITEMS Continued HEATER ASSEMBLY, REAR AND CREW COMPARTMENT-Continued													

Current part is item (7,5,10) on diagram. Available at www.oshkoshequipment.com

PF	2540-692-8848	HEATER ASSEMBLY, W/O BLOWER 8359778 (19207)	EA	1	*	*	*	*	*	*							
PF	5950-645-8838	COIL ASSEMBLY 8359613 (19207)	EA	1	*	*	*	*	*	*							
PF	5950-310-4655	COIL ASSEMBLY 8359617 (19207)	EA	1	*	*	*	*	*	*							
PO	2910-073-0165	PUMP, FUEL MS51321-1 (96906) CA	EA	1	*	*	*	*	*	*			145				1
PO	5305-993-2461	SCREW, MACHINE, SUPPORT PANEL AND FUEL PUMP MOUNTING MS35207-281 (96906) CA	EA	6	*	*	*	*	*	*			145				2
PO		COCK, FUEL SHUTOFF 593549 (24617) CA	EA	1	*	*	*	*	*	*			145				3
PO	4730-270-4673	FITTING, FUEL TUBE 114795 (24617) CA	EA	1	*	*	*	*	*	*			145				4
PO		TUBE, FUEL PUMP-TO-HEATER 11658048 (19207) CA	EA	1	*	*	*	*	*	*			145				5
PO	4730-133-3252	CLAMP, HOSE 11608950-17 (19207) CA	EA	2	*	*	*	*	*	*			145				6
MO		HOSE, DUCT, HEATER 8711056 (19207) CA	EA	1									145				7
		MANUFACTURE FROM:															
PO	4720-409-3988	HOSE, DUCT (11-1/2 IN. REQUIRED) MIL-H-62028, TYPE III, CLASS 1 (81349)	FT	V	*	*	*	*	*	*							
PO	5340-157-7536	CLAMP, HEATER HOLDDOWN 11658216 (19207) CA	EA	1	*	*	*	*	*	*			145				8
PO	5305-795-1122	SCREW, MACHINE, HOLDDOWN CLAMP 7951122-1 (19207) CA	EA	2	*	*	*	*	*	*			145				9

(1) SMR code	(2) Federal Stock Number	(3) Description Reference Number & Mfg. Code Usable on Code	(4) Qty Unit of meas	(5) inc in unit	(6) 30-day DS maint. allowance			(7) 30-day GS maint. allowance			(8) 1-yr alw per 100 equip cntgcy	(9) Depot maint alw per 100 equip	(10) Illustration	
					(a) 1-20	(b) 21-50	(c) 51-100	(a) 1-20	(b) 21-50	(c) 51-100			(a) Figure No.	(b) Item No.
		2202 ACCESSORY ITEMS Continued												

Current part is item (7,5,10) on diagram. Available at www.oshkoshequipment.com

(1) SMR code	(2) Federal Stock Number	(3) Description Reference Number & Mfg. Code Usable on Code	(4) Unit of meas	(5) Qty inc in unit	(a) 1-20	(b) 21-50	(c) 51-100	(a) 1-20	(b) 21-50	(c) 51-100	(8) 1-yr alw per 100 equip cntgcy	(9) Depot maint alw per 100 equip	(a) Figure No.	(b) Item No.
		3303 WINTERIZATION KITS Continued												
		HEATER KIT POWER PLANT-Continued												
PO	5310-407-9566	WASHER, LOCK, OIL PAN SHROUD MS35338-45 (96906)	EA	6	*	*	*	*	*	*				
PO	5315-298-1498	PIN, COTTER, EXHAUST ELBOW AND TUBE MS24665-362 (96906)	EA	3	*	*	*	*	*	*				
X20		HEATER KIT, CREW COMPARTMENT 11657870 (19207)	EA	1	*	*	*	*	*	*			150	
X20		BOX ASSEMBLY, DIVERTER 11662680 (19207)	EA	1	*	*	*	*	*	*			150	1
PO		HOSE, DEFROSTER AIR VENT 8723935-24 (19207)	EA	1	*	*	*	*	*	*			150	2
PO		HOSE, DEFROSTER AIR VENT 8723935-20 (19207)	EA	1	*	*	*	*	*	*			150	2
X20		NOZZLE ASSEMBLY, DEFROSTER 11657881 (19207)	EA	2	*	*	*	*	*	*			150	3
PO	2540-953-0110	BOX ASSEMBLY, HEATER CONTROL 10885798 (19207)	EA	1	*	*	*	*	*	*			150	4
PO	4720-809-2430	HOSE, AIR VENT 8711056 (19207)	EA	2	*	*	*	*	*	*			150	5
X20		ADAPTER ASSEMBLY, HEATER 7524078 (19207)	EA	1	*	*	*	*	*	*			150	6
X20		BRACKET, HEATER MOUNTING 11657869 (19207)	EA	2	*	*	*	*	*	*			150	7
PO	4730-908-6294	CLAMP, LOOP, CABLE MS35842-16 (96906)	EA	1	*	*	*	*	*	*			150	8
POR	2540-627-9923	HEATER ASSEMBLY, CREW COMPARTMENT 8359774 (19207)	EA	1	*	*	*	*	*	*			150	9
PO	4720-809-2430	HOSE, AIR VENT 8711056 (19207)	EA	2	*	*	*	*	*	*			150	10
PO		CLAMP, HOSE 451246 (24617)	EA	1	*	*	*	*	*	*			150	11

Current part is item (7,5,10) on diagram. Available at www.oshkoshequipment.com

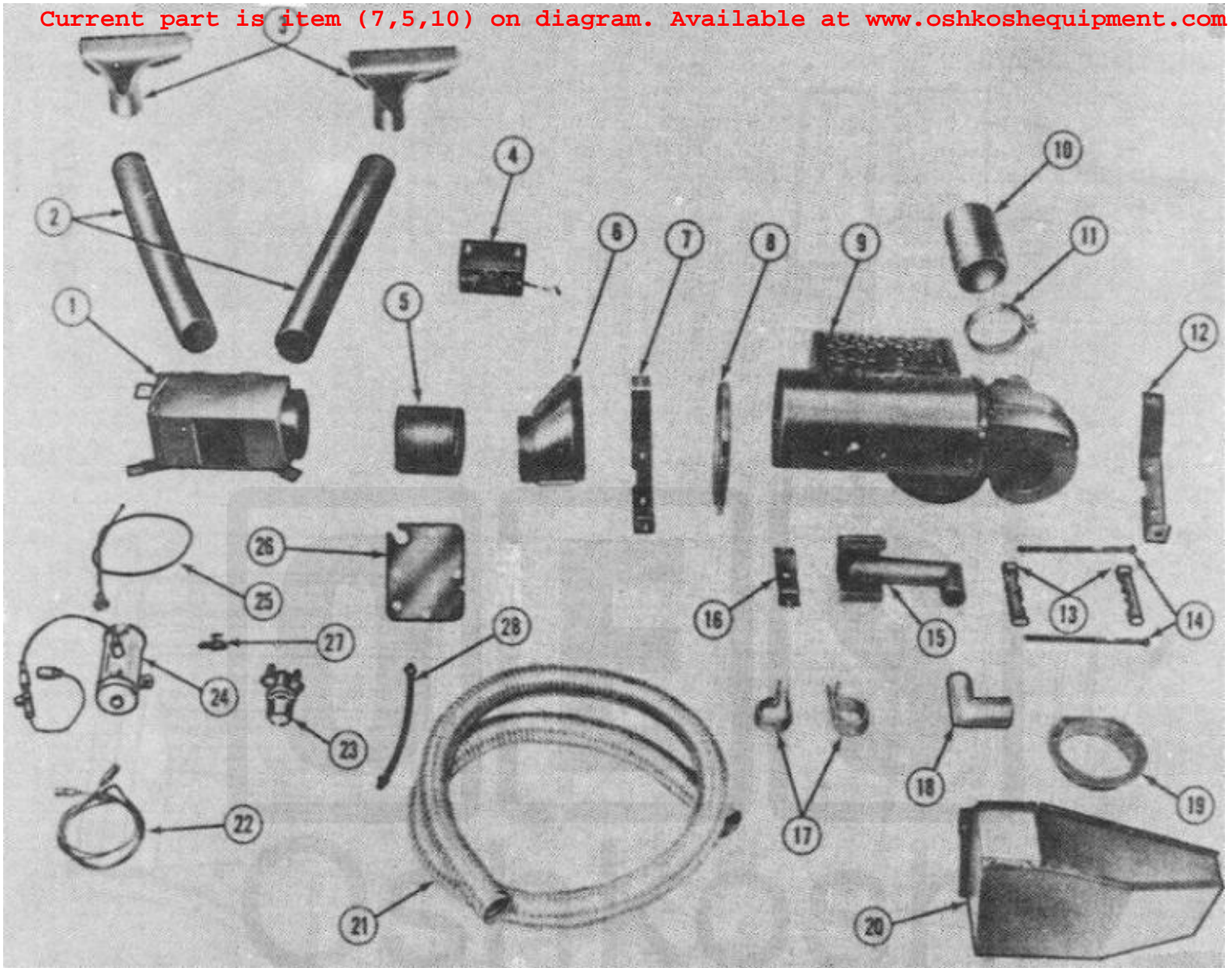


Figure 150: Crew Compartment Heater Kit

(1) SMR code	(2) Federal Stock Number	(3) Description Reference Number & Mfg. Code Usable on Code	(4) Unit of meas	(5) Qty inc in unit	(6) 30-day DS maint. allowance			(7) 30-day GS maint. allowance			(8) 1-yr alw per 100 equip cntgcy	(9) Depot maint alw per 100 equip	(10) Illustration		
					(a) 1-20	(b) 21-50	(c) 51-100	(a) 1-20	(b) 21-50	(c) 51-100			(a) Figure No.	(b) Item No.	
		3303-WINTERIZATION KITS Continued													
		HEATER KIT, POWER PLANT-Continued													
X20		BRACKET, HEATER MOUNTING 11657869 (19207)	EA	2	*	*	*	*	*	*				150	12
PO	2990-445-2237	CLAMP, HEATER 7700237 (19207)	EA	2	*	*	*	*	*	*				150	13

Current part is item (7,5,10) on diagram. Available at www.oshkoshequipment.com